

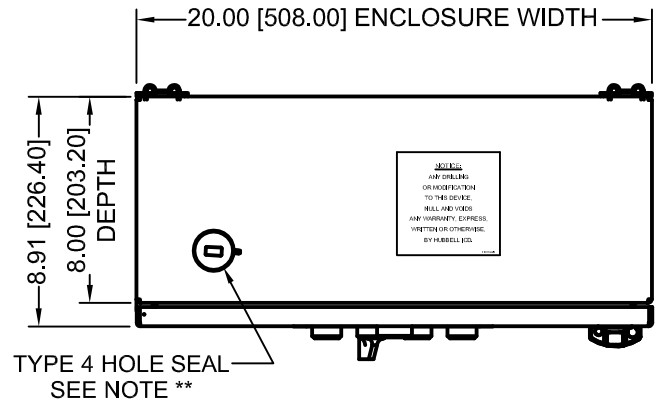


Dimensions and Data

Diesel Engine Fire Pump Controller

HD-5000

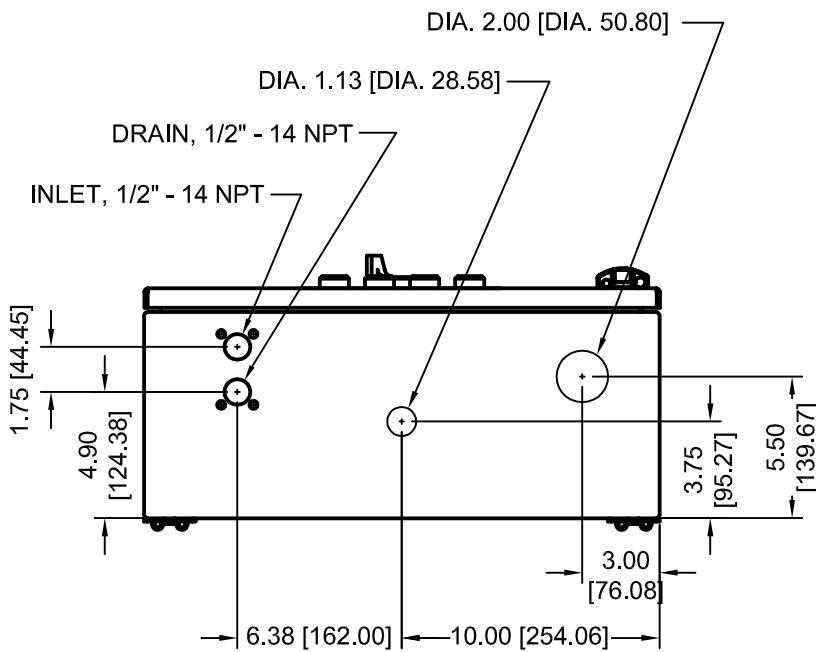
RATINGS	ACV	BATT V	FREQ.	ENCLOSURE TYPE	MOUNTING
ORDER INFORMATION	120V	12V	50 Hz	4 (STD.)	WALL MOUNTED (STD)
	240V	24V	60 Hz	4X	LEG KIT
SELECT	<input type="text"/>	<input type="text"/>	<input type="text"/>	<input type="text"/>	<input type="text"/>



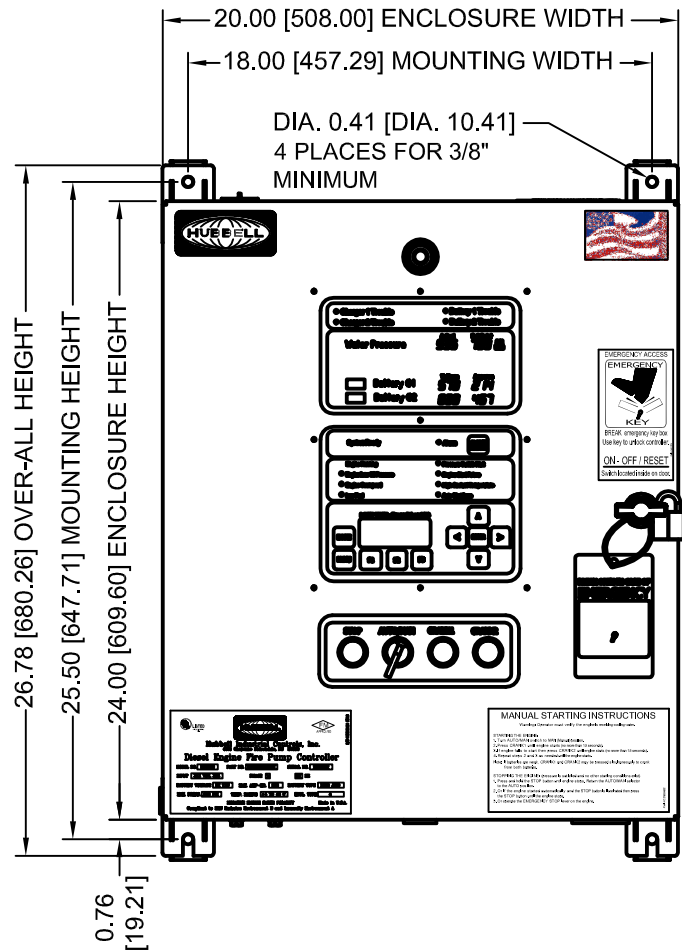
TOP VIEW

NOTES:

- FINISH (TYPE 4 ENCLOSURE): RED EPOXY-POLYESTER
- WALL MOUNTED
- "[]" INDICATES METRIC (mm)
- * - FOR BOTTOM CONDUIT ENTRY ONLY
- ** - FOR FUTURE USE



BOTTOM VIEW



FRONT VIEW



Hubbell Industrial Controls, Inc.
4301 Cheyenne Drive, Archdale, N.C. 27263

DATE:	07/22/2011	REV.	D
DRAWING NUMBER:		HCD5000AB00	